

Work happily



V1.3

naggura'swop

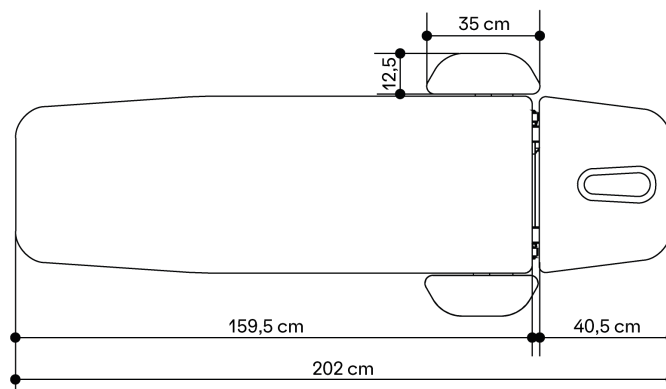
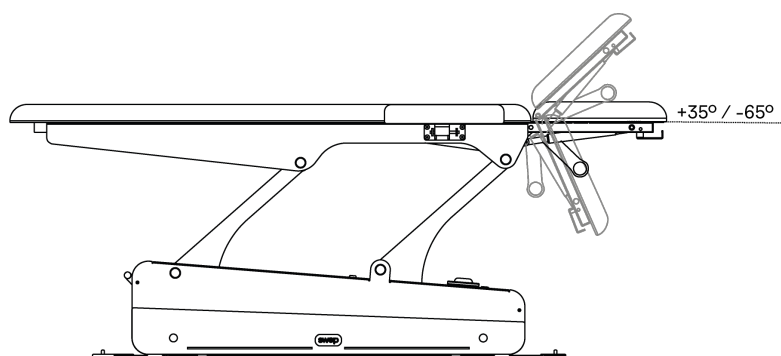
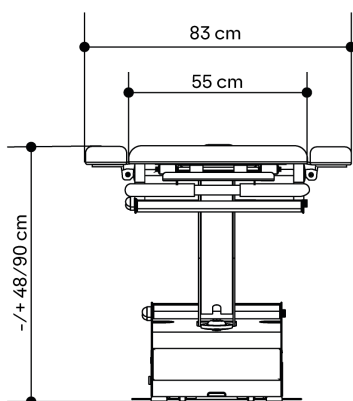
naggura.com

Swop 2W Pro Physio

  Physiotherapy



Dimensions



Swop 2W Pro Physio



General Specifications

MOTORS

1 engine height (6000N)

FRAME COLOUR

Space ball is RAL 7015
Base Frame is RAL 7047

DIMENSIONS (LENGTH X WIDTH)

202 x 55/83 cm

INSULATION CLASS

Reinforced insulation II

HEIGHT (MIN. AND MAX.)

48/90 cm

PRODUCT CLASSIFICATION

Class I Equipment

WEIGHT

96 kg

APPLIED PARTS

Type B

LIFTING CAPACITY

200 kg

MOISTURE RESISTENCE

IPx0

POWER SUPPLY

230 V - 50/60 Hz

FEEDER CABLE

2,5m, white

Operation

2 side widening supports.

Head section with 2 gas springs.

Handlebar support.

Space ball peripheral switch, easy access from all sides of the table.

4 wheels turning 360°. Fully integrated system underneath the base frame. 1 Central lever.

Upholstery

Thickness: 5cm

Density: 70kg/m³

Breathing hole and plug.

Seamless upholstery with round edges.

Naggura Skin upholstery: 100% vinyl compound.

Protection against germs and UV rays.

Superior abrasion resistance: >250K cycles.

Flame retardancy: NF P 92-503/M2

Colour: Graphite

Warranty and conformity

WARRANTY

2 years on table and upholstery

CONFORMITY

EN ISO 14971: 2019, EN ISO 20417:2021,

EN ISO 15223-1: 2016, ISO 10993-1: 2018,

EN ISO 10993-5: 2009, EN ISO 10993-10: 2013,

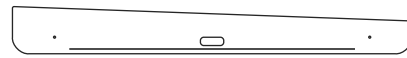
EN ISO 13485:2016,

EN 60601-2-52:2010+ AC:2011+A1:2015,

EN 60601-1-2:2015+ A1:2020,

EN 60601-1:2006+ A1:2013+AC:2014+A12:2014 +A2:2020

Collections



Nordic

METAL



Yellow



Blue



Pink

Foll

METAL



Ash



Clay

Iron

METAL



Inox



Black

Om

WOOD



Oak



Wenge

Techno

PMMA



Fluor



Fuxia



Ice

Accessories

Paper roll holder



Bamboo Sound System



Bed Covers



Safety

Safety switch with key (power off).
Motor with safety clutch.